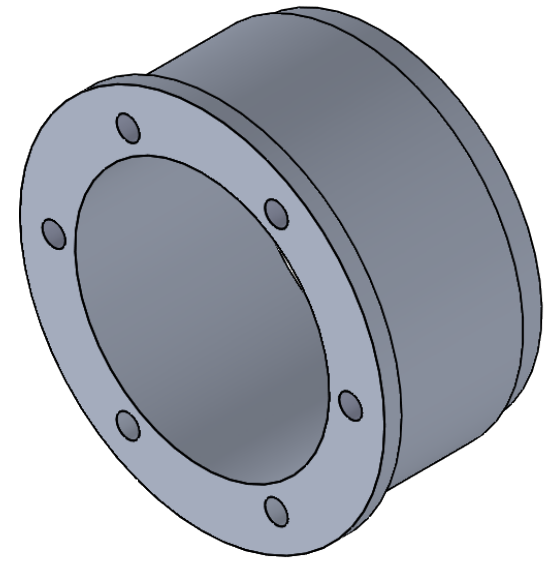
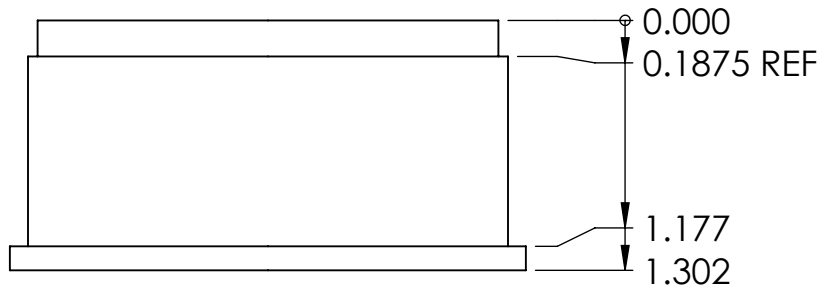
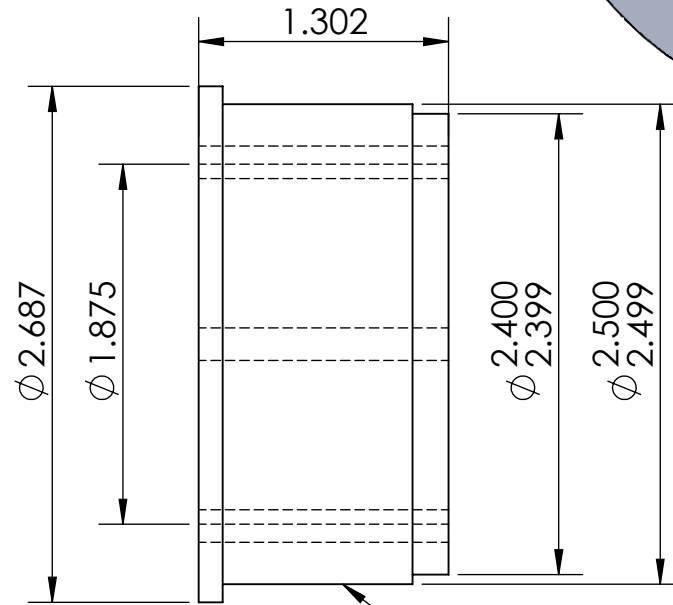
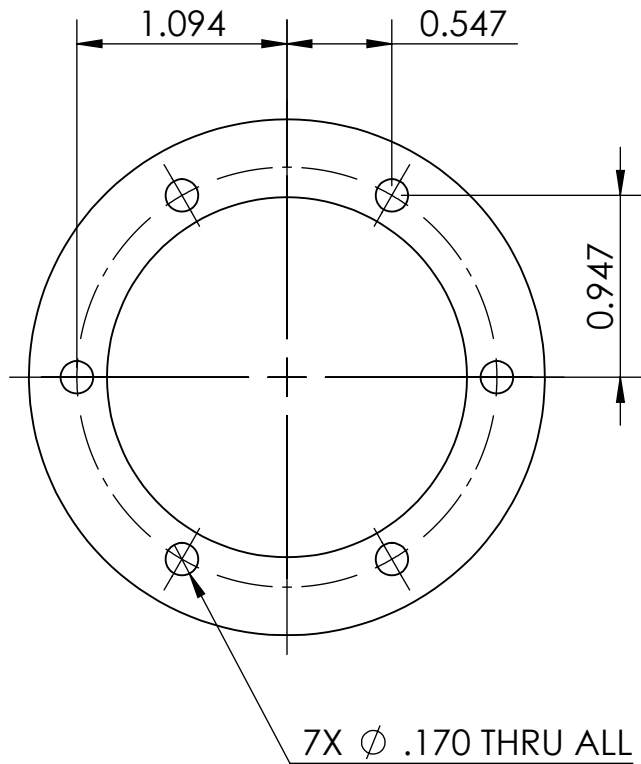


B



B



Mates with IM-KB025XPO,
transition fit / close clearance

A

OSURC Mars Rover

TITLE:

mr1718-arm-base-mounting_output

MATERIAL

6061 Alloy

FINISH

WASH AND SCOTCH-BRITE

SCALE: 1:1

DO NOT SCALE DRAWING

UNLESS OTHERWISE SPECIFIED:
DIMENSIONS ARE IN INCHES

TOLERANCES:

FRACTIONAL $\pm 1/32$ ANGULAR: MACH \pm BEND \pm TWO PLACE DECIMAL ± 0.01 THREE PLACE DECIMAL ± 0.005

BREAK ALL CORNERS

COMMENTS:

SHEET 1 OF 1