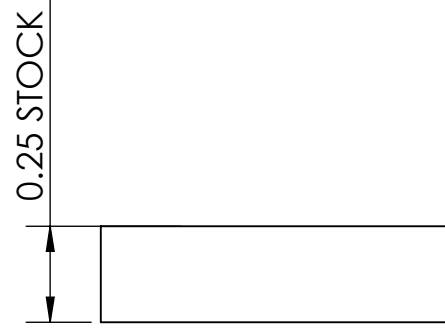


2

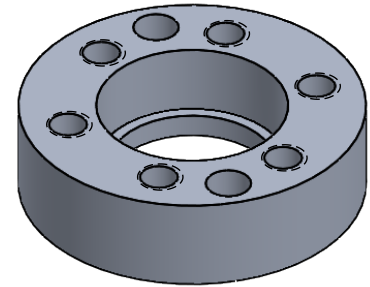
1

B

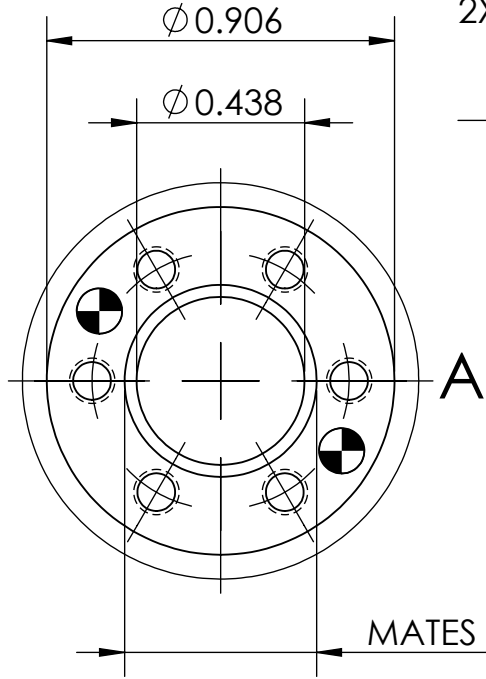
B



7X ϕ .098 THRU ALL
M3X0.5 - 6H THRU ALL

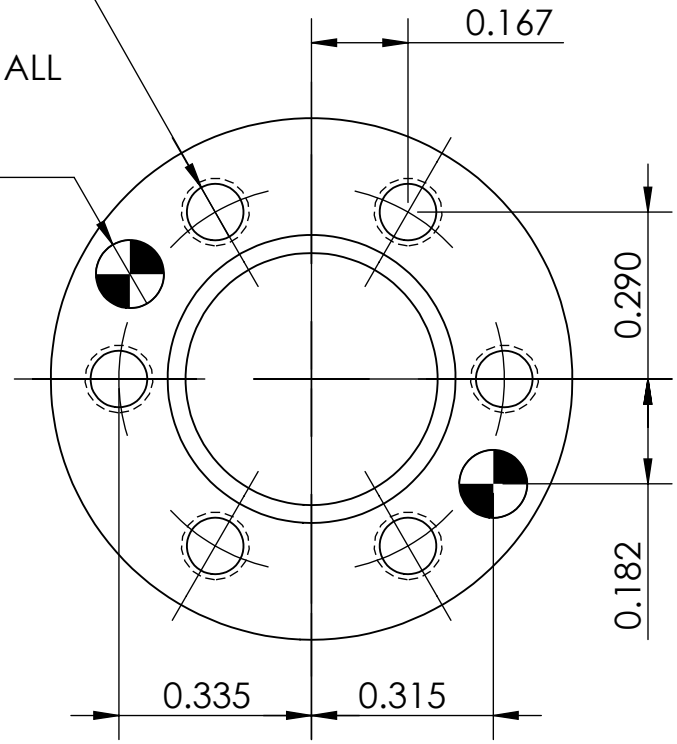


2X ϕ .118in H7/p6 [3mm H7/p6] THRU ALL
MATES WITH 91595A100
TRANSITION FIT



DETAIL A

SCALE 3:1



A

A

OSURC Mars Rover

TITLE:
mr1718-arm-base-cup_bearing

| | |
|------------|-----------------------|
| MATERIAL | 6061 Alloy |
| FINISH | WASH AND SCOTCH-BRITE |
| SCALE: 2:1 | DO NOT SCALE DRAWING |

UNLESS OTHERWISE SPECIFIED:
DIMENSIONS ARE IN INCHES
TOLERANCES:
FRACTIONAL $\pm 1/32$
ANGULAR: MACH \pm BEND \pm
TWO PLACE DECIMAL ± 0.01
THREE PLACE DECIMAL ± 0.005
BREAK ALL CORNERS

COMMENTS:

SHEET 1 OF 1

2

1